

Quick Start BBX 3000

September 2024



And perhaps we'll
see you soon!

info@dualinventive.com
www.dualinventive.com

ti DualInventive
Transforming Rail Safety



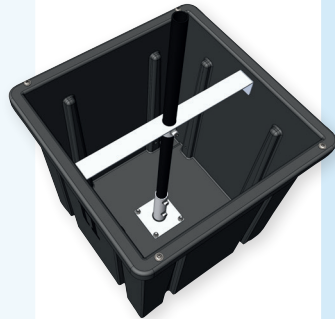
Before you start!

The BBX 3000 is designed to support a solar panel which can be connected to the external battery used with the ZKL 3000 RC.

Install the BBX 3000 no closer than 1.7 m to the track, in a position of safety. Make sure it is placed on a hard, flat surface. The BBX 3000 does not require foundations and is designed to sit on the ground.

1

- Install the pole into the box, tighten the bottom side of the pole with the two (already inserted) screws.
- Tighten the bar to the box (both sides) using two m8x25 screws and tighten the pole using the (already inserted) screw.



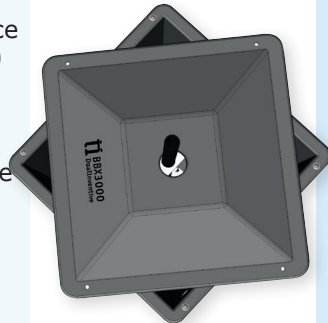
2

- Fill the BBX 3000 with a suitable bagged filler material of at least 80 kg.
- If possible, place the external battery on top of the ballast that is inside the box. Otherwise, place it outside the box.
- If applicable, place the external battery cable through the hole on the side of the box.



3

- If the external battery is placed inside the box, place the cover of the BBX 3000 on the top and rotate it 45 degrees to one side.
- Pull the connector of the solar panel through the gap and connect it to the external battery.
- If the external battery is left outside the box, connect the cable of the solar panel to the external battery.



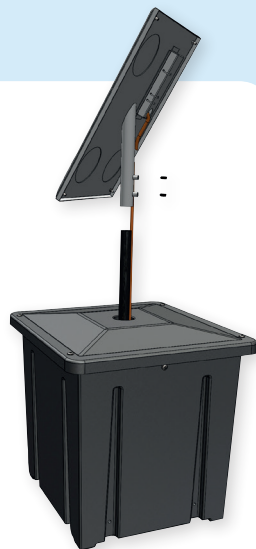
4

- Close the box by securing the lid using 4 m8x25 screws and locknuts.



5

- Mount the solar panel on the top of the pole.



6

- Ensure that the solar panel is not obscured or installed in the shade.
- Rotate the panel on the pole to ensure that it is facing towards the sun (it is recommended to place the panels facing south in the northern hemisphere and facing north in the southern hemisphere).
- Tighten the solar panel using the two (already inserted) screws.

